

4

3

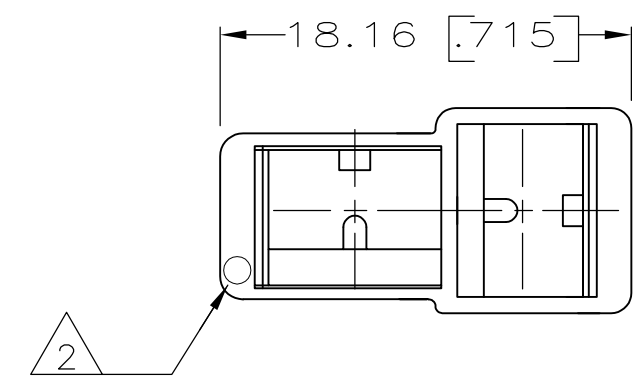
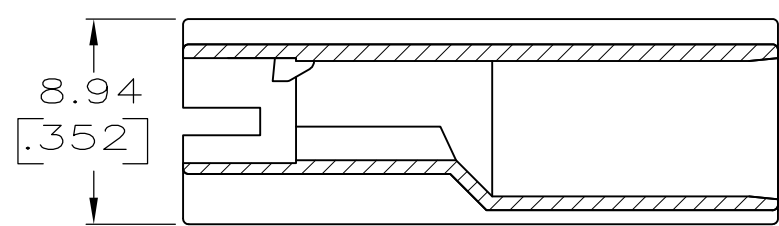
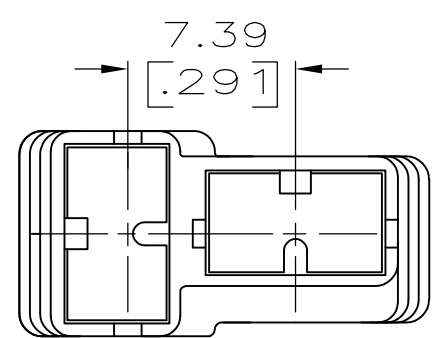
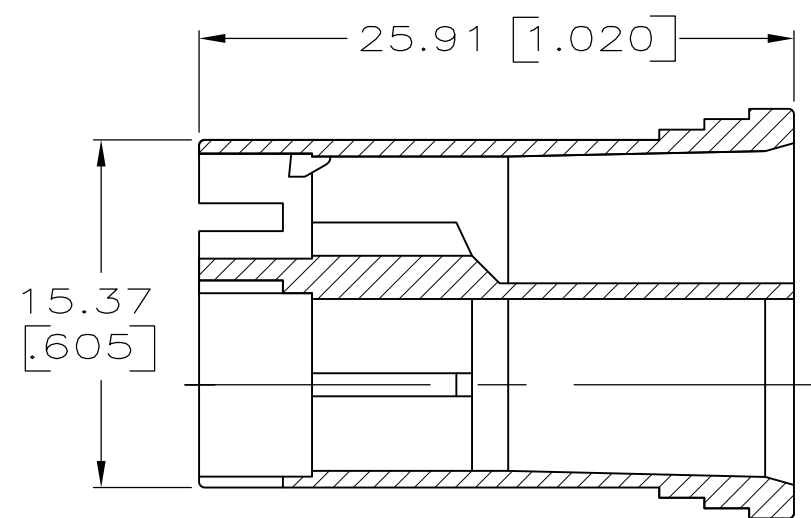
2

1

THIS DRAWING IS UNPUBLISHED. RELEASED FOR PUBLICATION  
© COPYRIGHT - BY TYCO ELECTRONICS CORPORATION. ALL RIGHTS RESERVED.

LOC	DIST	REVISIONS					
AF	50	P	LTR	DESCRIPTION	DATE	DWN	APVD
		G		REVISED PER ECR-06-029276	22MAY07	HMR	EH

- △1 DIMENSIONS IN BRACKETS ARE IN INCHES.
- △2 CAVITY ID.
- △3 GLASS REINFORCED, 25% MAX REGRIND



520910-1  
PART NO.

THIS DRAWING IS A CONTROLLED DOCUMENT.		DWN	JR RUTH	8/19/87	<b>tyco</b> <b>Electronics</b>	Tyco Electronics Corporation Harrisburg, Pa 17105-3608			
DIMENSIONS: INCHES		CHK	G YETTER	8/19/87		NAME HOUSING, POSITIVE-LOCK, T-TYPE, .250 SERIES			
TOLERANCES UNLESS OTHERWISE SPECIFIED:		APVD	R KUZO	8/19/87	PRODUCT SPEC				
0 PLC ± - 1 PLC ± - 2 PLC ± - 3 PLC ± 0.25 [.010] 4 PLC ± - ANGLES ± -		APPLICATION SPEC		SIZE		CAGE CODE	DRAWING NO	RESTRICTED TO	
MATERIAL 6/6 NYLON △3		FINISH BLACK		WEIGHT -		A3 00779 C-520910		-	
CUSTOMER DRAWING					SCALE	3:1	SHEET	1 OF 1	REV G